



# INOX STEEL TECHNICAL

Inox Machinery Manufacturers For Food & Milk Industries

## MILK COOLING TANKS - REFRIGERATORS

Vertical, cylindrical, open type I.S.T. A1, capacities : 100 lt – 400 lt.

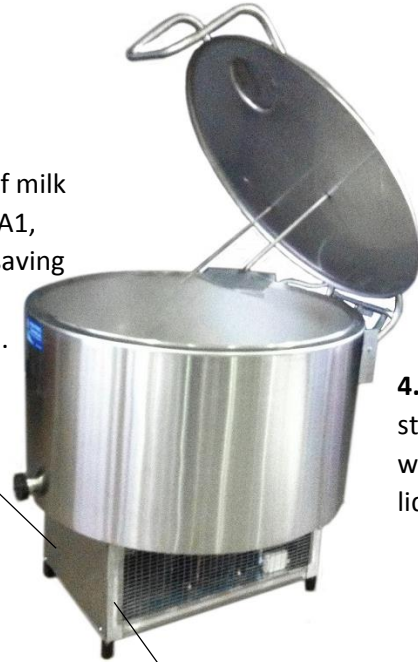


2. Easy access to the sensor for inspection and possible replacement.

1. Agitation device with extra protective cover on the top.

3. Design and construction of milk coolers series A1, enable space saving and easy transportation.

5. Much greater bottom insulation thickness, for better cooling and energy saving, **against of the competitors.**



4. Automatically stopped agitator when opening the lid.

6. Product outlet through bend, to avoid foaming of the milk.

7. Tank bracket in series A1 100 lt-400 lt, made by hollow beam rather than sheet metal, **against of the competitors.**



8. Constructed by thicker steel sheets, **against of the competitors.**

9. Launch of the agitation, upon receipt of the sample, pressing the **BUTTON** to the device.

10. Latest technology **laser welded** bottoms.



11. Installation of branded compressors from leading manufacturers.

12. Time protection of the compressor, from the instantaneous power outages, lasting 2 minutes.



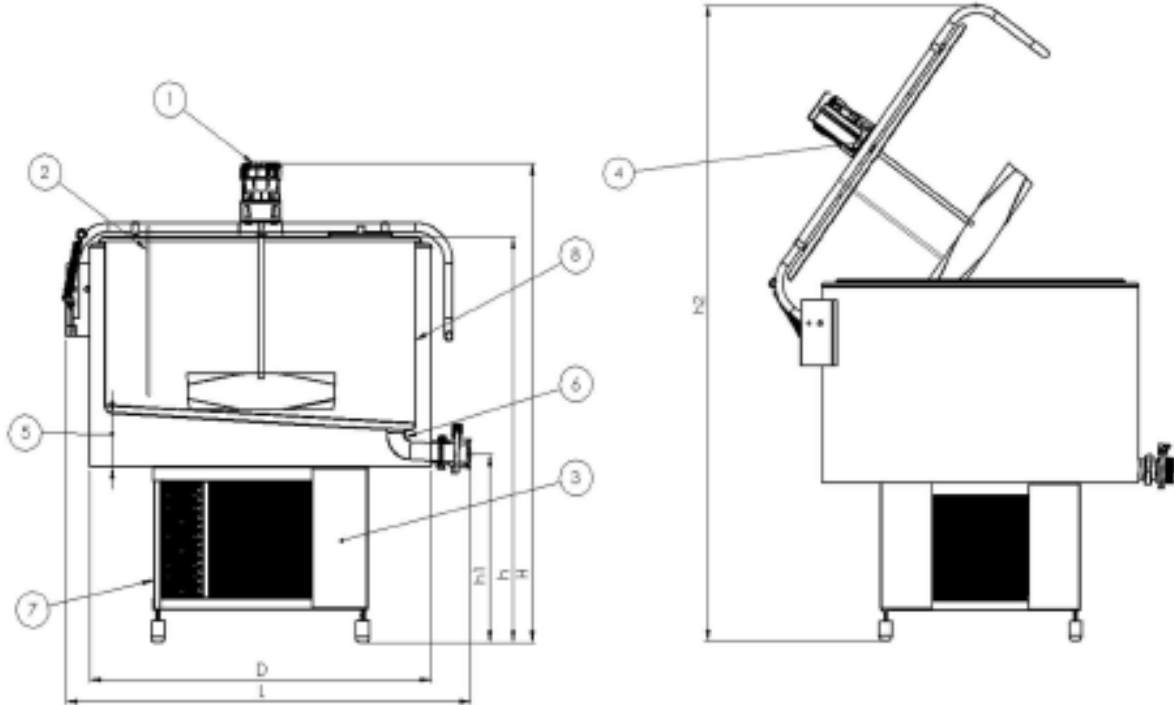


# INOX STEEL TECHNICAL

Inox Machinery Manufacturers For Food & Milk Industries

## MILK COOLING TANKS - REFRIGERATORS

Vertical, cylindrical, open type I.S.T. A1, capacities : 100 lt – 400 lt.



### Technical Specifications

#### A1 (100 – 400 lt)

Type	Capacity	Max. Capacity	Number of milking's	Compressor Power	Fan Cooled Condenser	Fans	D mm	L mm	h mm	h1 mm	H mm	Weight
A1	100lt	120lt	2	3/8hp	Tropicalized 0,5hp	1xD300mm	640	710	1025	480	1250	70kg
A1	200lt	215lt	2	1/2hp	Tropicalized 3/4hp	1xD300mm	820	920	1065	550	1275	90kg
A1	200lt	215lt	4	3/8hp	Tropicalized 3/4hp	1xD300mm	820	920	1065	550	1275	90kg
A1	300lt	340lt	2	5/8hp	Tropicalized 1hp	1xD300mm	1010	1153	1100	525	1330	114kg
A1	300lt	340lt	4	1/2hp	Tropicalized 1hp	1xD300mm	1010	1153	1100	525	1330	114kg
A1	400lt	435lt	2	1 1/4hp	Tropicalized 2hp	2xD300mm	1130	1270	1100	525	1330	150kg
A1	400lt	435lt	4	1 hp	Tropicalized 2hp	2xD300mm	1130	1270	1100	525	1330	150kg

Industrial Area of Sindos, Thessaloniki, GREECE

P.O. 1183 – P.C. 57022

Tel. +30 2310 795333 Fax. +30 2310 795332

E-mail: [info@inoxst.com](mailto:info@inoxst.com)

Web site: [www.inoxst.com](http://www.inoxst.com) - [www.inoxst.gr](http://www.inoxst.gr)



Inox Steel Technical  
Inox Machinery manufacturers  
for food and milk  
industries  
ISO 9001:2008